

Series 8, French door bottom freezer, multi door, 183 x 90.5 cm, Inox-easyclean KFF96PIEP



Included accessories

1 x cartridge for water filtering system

The impressive Multi Door model with VitaFresh pro 0°C: keeps your food fresh at 0°C and optimized humidity condition

- **NoFrost:** you'll never have to defrost your fridge-freezer again.
- **Metal backwall with MultiAirflow:** evenly circulates cool, fresh air to maintain consistent temperatures.
- **XXL capacity:** extra space for your food when you need it.
- **Ice&Water Dispenser with tap connection:** Convenient ice maker for fresh cubes and chilled water.
- **Ice dispenser:** Mains water connection to ensure a bountiful supply of ice cubes

Technical Data

Energy Efficiency Class: E

Average annual energy consumption in kilowatt hour per year (kWh/a): 333 kWh/a

Sum of volume of frozen compartments: 171 l

Sum of volume of chill compartments: 402 l

Airborne acoustical noise emissions : 39 dB(A) re 1 pW

Airborne acoustical noise emission class: C

Construction type: Free-standing

Door panel options: Not possible

Height: 1830 mm

Width of the appliance: 905 mm

Depth of the product: 706 mm

Net weight: 153.9 kg

Fuse protection: 10 A

Door hinge: Other

Voltage: 220-240 V

Frequency: 50-60 Hz

Length of electrical supply cord: 240.0 cm

Number of compressors: 2

Number of independent cooling systems: 2

Interior ventilator: Yes

Reversible Door Hinge: No

Number of Adjustable Shelves in fridge compartment (Stck): 4

Shelves for Bottles: Yes

Installation type: N/A



Series 8, French door bottom freezer, multi door, 183 x 90.5 cm, Inox-easyclean KFF96PIEP

The impressive Multi Door model with Vitafresh pro 0°C: keeps your food fresh at 0°C and optimized humidity condition

- flexible bar

Design features

- Standard door Stainless Steel EasyClean
- Standard door Stainless Steel EasyClean door and chrome inox metallic side panels.
- Bright interior LED fridge light in fridge section
- Interior design with metal applications
- 3 x 7 segment
- Super Cooling: automatic deactivation
- Automatic defrost fridge
- Holiday mode - saves energy when you're away a longer period of time, Sabbath Mode
- Optical and acoustical

Food freshness system

- 1 VitaFresh drawer - Fish and meat stay fresh for longer
1 VitaFresh pro 0°C drawer with humidity and temperature control - Fruits, vegetables, Fish and meat stay vitamin-rich and fresh up to 3 times longer. 2 VitaFresh pro 0°C drawers with humidity control
- AirFreshFilter with AntiBacterial filter to reduce odours and bacteria
- MultiAirflow system - improves circulation of air around the fridge

Key features - Fridge section

- VitaFresh pro: keeps fruit, vegetables, fish and meat fresher for longer.
- 4 safety glass shelves of which 4 are height adjustable, Dividable glass shelf 2 shelves extendable
- Dividable glass shelf
- Door shelves in fridge door: 2 large and 3 small.
- 1 dairy compartment in door
- cartridge for water filtering system
- 4 safety glass shelves (4 height adjustable)
- 2 removable door storage compartments.
- Bright interior LED fridge light
- Metal backwall
- Water dispenser: yes, direct conn.water-tap

Dimension and installation

- Dimensions: 183 cm H x 90.5 cm W x 70.6 cm D
- 4 wheels for easier transport, 3 of them height adjustable.
- 220 - 240 V

Key features - Freezer section

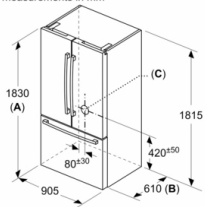
- Freezer malfunction warning signal: optical and acoustical
- Automatic ice cube maker
- 3 freezer drawers
- Freezer malfunction warning signal: optical and acoustical warning system
- Based on the results of the standard 24-hour test. Actual consumption depends on usage/position of the appliance.
- To achieve the declared energy consumption, the distanceholders have to be used. As a result, the appliance depth increases by about 3.5 cm. The appliance used without the distance holder is fully functional, but has a slightly higher energy consumption.

Performance and Consumption

- EU19_EEK_D: E
- Total Volume : 573 l
- Net Fridge Volume : 402 l
- Net Freezer Volume : 171 l
- Net 4* compartment volume : 171 l
- Freezing capacity 24h : 15 kg
- Annual Energy Consumption: 333 kWh/a
- Climate Class: SN-T
- EU19_Fast freezer facility_D
- Noise Level : 39 dB , EU19_Noise emission class_D: C

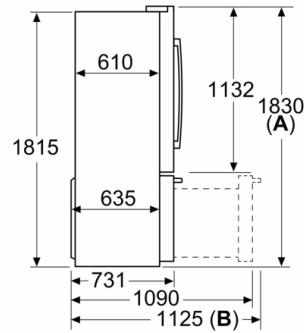
Series 8, French door bottom freezer, multi door, 183 x 90.5 cm, Inox-easyclean KFF96PIEP

measurements in mm



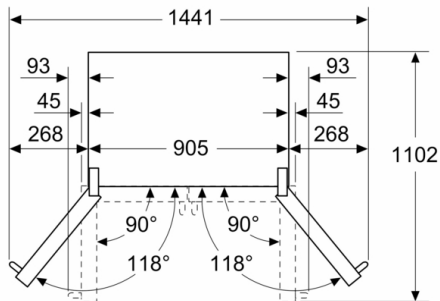
A: Front is adjustable from 1830 to 1847, with front levelling feet fully extended
 B: Add 25 for fixed spacers on back
 C: Water connection position

measurements in mm

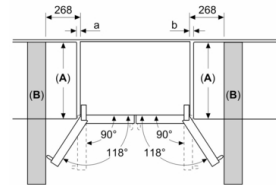


A: Front is adjustable from 1830 to 1847, with front levelling feet fully extended
 B: With handle

Measurements in mm



Measurements in mm



A	a	b
≤ 600	3	3
600 < A ≤ 650	45	45
650 < A ≤ 700	60	60
> 700	268	268

A: Kitchen cabinet or worktop depth

B: Wall
 Drawers can be pulled and taken out with door open to 90°